

Fast Tune-up from 1.8 to 50 MHz Band Remote Control with Icom Transceivers

Wide Frequency Coverage

With a 7 m (23 ft) or longer wire element, all band matching is possible from the 1.8 MHz (160 m) band to the 50 MHz (6 m) band. Efficient for multi-band operation.

* A ground connection is required.

Minimum RF Output for Tuning

The AH-730 emits only 0.3 W of RF output from the antenna during tuning operation. The low power minimizes the risk of interference to other stations while matching the antenna.

High Speed Tuning

The automatic tuning operation can be made at a high speed of about 2 to 3 seconds. It has 45 memories to store the minimum SWR settings. When re-tuning the same frequency, matching can be achieved in about 1 second.

IPX4 Water Resistant

The tuner case uses a high-strength resin which protects internal parts from water, weather, and salt damage. The tuner is tested to IPX4 water splash protection. In addition, the coaxial cable and control cable can be easily connected without opening the case.



SPECIFICATIONS

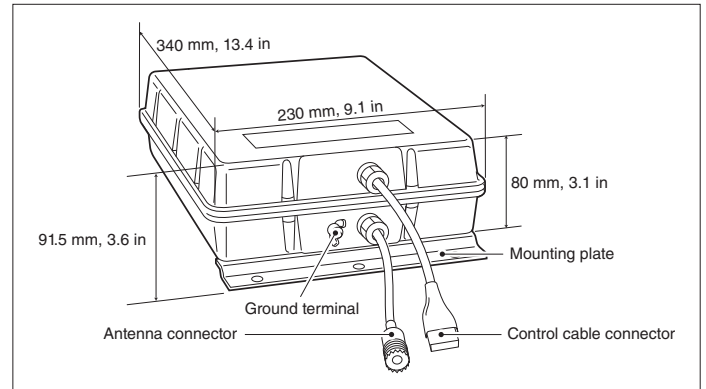
| | |
|--|--|
| Tunable frequency range | 1.8–54 MHz (with a 7 m, 23 ft or longer antenna element) |
| Maximum input power | 150 W (PEP) 100 W (Continuous) |
| Input impedance | 50 Ω (SO-239) |
| Power requirement for tuning | 5–15 W (10 W rated) |
| Tuning time (Approximate) | Average: 2–3 seconds Maximum: 15 seconds |
| Tuning accuracy | VSWR 2.0:1 or less (except 1/2 of antenna length and its multiples) |
| Number of tuned memories | 45 memories |
| Power supply requirements | 13.8 V DC ±15% (supplied from transceiver) |
| Current drain | Less than 0.7 A |
| Operating temperature range | –10°C to +60°C; +14°F to +140°F |
| Dimensions (W × H × D) (projections not included) | 230 × 80 × 340 mm, 9.1 × 3.1 × 13.4 in |
| Weight (approximate) | 2.5 kg, 5.5 lb |
| Compatible antennas | Long wire and vertical whip antennas |

All stated specifications are subject to change without notice or obligation.

Applicable IP Rating

| Ingress Protection Standard | |
|-----------------------------|------------------------|
| IP rating | IPX4 (Water resistant) |

DIMENSIONS



OPTIONAL ACCESSORIES

OPC-1465

Shielded Control Cable (10 m, 32.8 ft)
Same as supplied with the AH-730.



Supplied Accessories

- Control cable (10 m, 32.8 ft)
- Mounting kit (U-bolts and plates)
- Weatherproof cap

COMPATIBLE TRANSCEIVERS (as of Jan 2022)



IC-7610



IC-7300



IC-7100



IC-718



IC-78

Icom, Icom Inc. and the Icom logo are registered trademarks of Icom Incorporated (Japan) in Japan, the United States, the United Kingdom, Germany, France, Spain, Russia, Australia, New Zealand and/or other countries.

Icom Inc.

1-1-32, Kamiminami, Hirano-Ku, Osaka 547-0003, Japan Phone: +81 (06) 6793 5302 Fax: +81 (06) 6793 0013

www.icomjapan.com

Icom America Inc.
www.icomamerica.com

Icom (Europe) GmbH
www.icomeurope.com

Icom (Australia) Pty. Ltd.
www.icom.net.au

Your local distributor/dealer:

Icom Canada
www.icomcanada.com

Icom Spain S.L.
www.icomspain.com

Shanghai Icom Ltd.
www.bjicom.com

Icom Brazil
E-mail: sales@icombrasil.com

Icom (UK) Ltd.
www.icomuk.co.uk

Icom France s.a.s.
www.icom-france.com